

Antrada



AA-SASE-3612L

**SAS Expander
12 Gb/s
Low profile**

User's Manual

Ver. 1.0

May / 19 / 2015



Copyright

Copyright © 2015 Antrada Technology Co., Ltd.. All rights reserved.

Unless otherwise indicated, all materials in this manual are copyrighted by Antrada Technology Co., Ltd.. All rights reserved. No part of this manual, either text or image may be used for any purpose other than internal use within purchasing company. Therefore, reproduction, modification in any form or by any means, electronic, mechanical or otherwise, for reasons other than internal use, is strictly prohibited without prior written permission.

Antrada Technology Co., Ltd. reserves the right to make improvement and modification to the products indicated in this manual at any time. Specifications are therefore subject to change without prior notice.

Information provided in this manual is intended to be accurate and reliable. However, Antrada Technology Co., Ltd. assumes no responsibility for its use, nor for any infringements upon the rights of third parties, which may result from its use.

Technical Support

Antrada works hard to offer our customers maximum performance from our chassis.

But in case you have any problem with our product you can find supports from the following resources.

Email Support

contact information is as following:

jeffkao@antrada.com.tw

edwardliu@antrada.com.tw

Phone Support

contact information is as following:

Tel: 886-2-8647-2746 #101

886-2-8647-2746 #104

Fax: 886-2-8647-2745



Technical Specifications

Mini-SAS HD Ports	Internal Input from SAS RAID Card : 4-port (1x Mini-SAS HD) Internal Output to Backplane : 24-port (6x Mini-SAS HD) External Input from Host : 4-port (1x Mini-SAS HD) External Output to Storage Center : 4-port (1x Mini-SAS HD)
Number of Supported SAS / SATA in directly	24 HDDs (Internal connection)
Mechanical Dimension	200.00 mm x 106.64 mm
Power Connector	4-Pin Connector
Power Consumption	30 Watts
Operating Temperature	0~50 °C (32~122 °F)
Relative Humidity	20%~90%, non-condensing

Features

General

- Flexible application of 36-port Standard SAS Expander Card
- Support HDD Failure / Activity Indication and HDD ID Mapping
- Mechanical fitting compatible with motherboard PCI-Express 1X, 4X, 8X, 16X slots
- Low profile.

High-Speed I/O

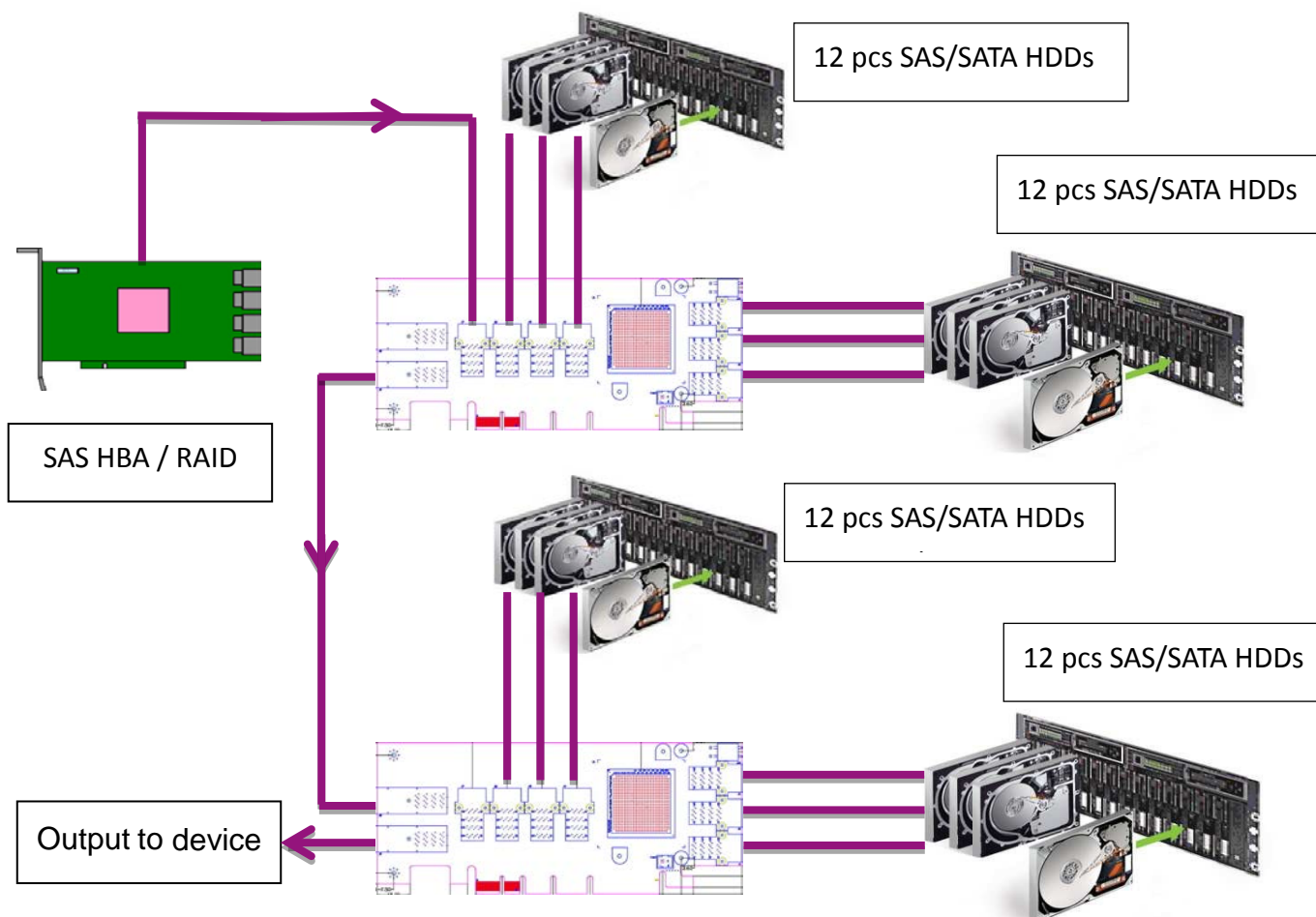
- 12.0 Gbit/s or 6.0 Gbit/s or 3.0 Gbit/s operations
- Automatic negotiation of linking speed

Application

- SAS / SATA HDD NAS storage sever or enclosure
- Security system / data storage
- CAD/CAM engineering / scientific modeling
- Video streaming / editing workstation

Introducing the SAS Expander Card

SAS expander card expands one SAS address to a number of additional ports. It is an optimal device for usage in data centers.

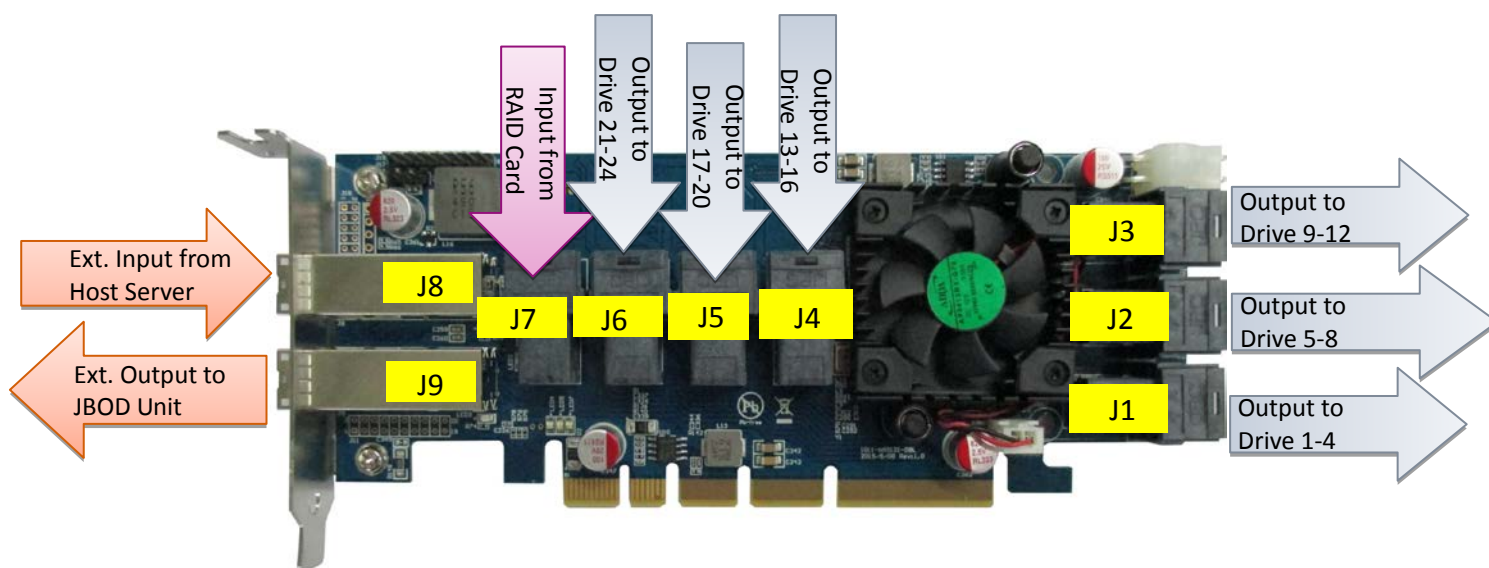


The Antrada 36-port Standard SAS expander card provides high performance, high disk drive connectivity, scalability and flexibility in various storage environments. It is a valuable solution to other expansive and complex topologies. The SAS expander is ideal for high availability, scalable server clustering environments, front-end storage subsystems used in clusters, SANs and NAS environments.

The Antrada SAS Expander is based on LSI LSISAS3x36-R IC that enables the connection of multiple drive devices in directly attached SAS or SATA. Each expander PHY performs SAS and SATA transfer rate at 12.0Gbit/s or 6.0 Gbit/s or 3.0 Gbit/s with individual configurations. The SAS expander IC supports the Serial SCSI Protocol (SSP), SATA Tunneled Protocol (STP) and Serial Management Protocol (SMP). Those are based on SAS protocol and described in the SAS standard V1.0, V1.1, V2.0 and V3.0.

SAS Expander Card Hardware

SAS Expander Card Layout



Connectors

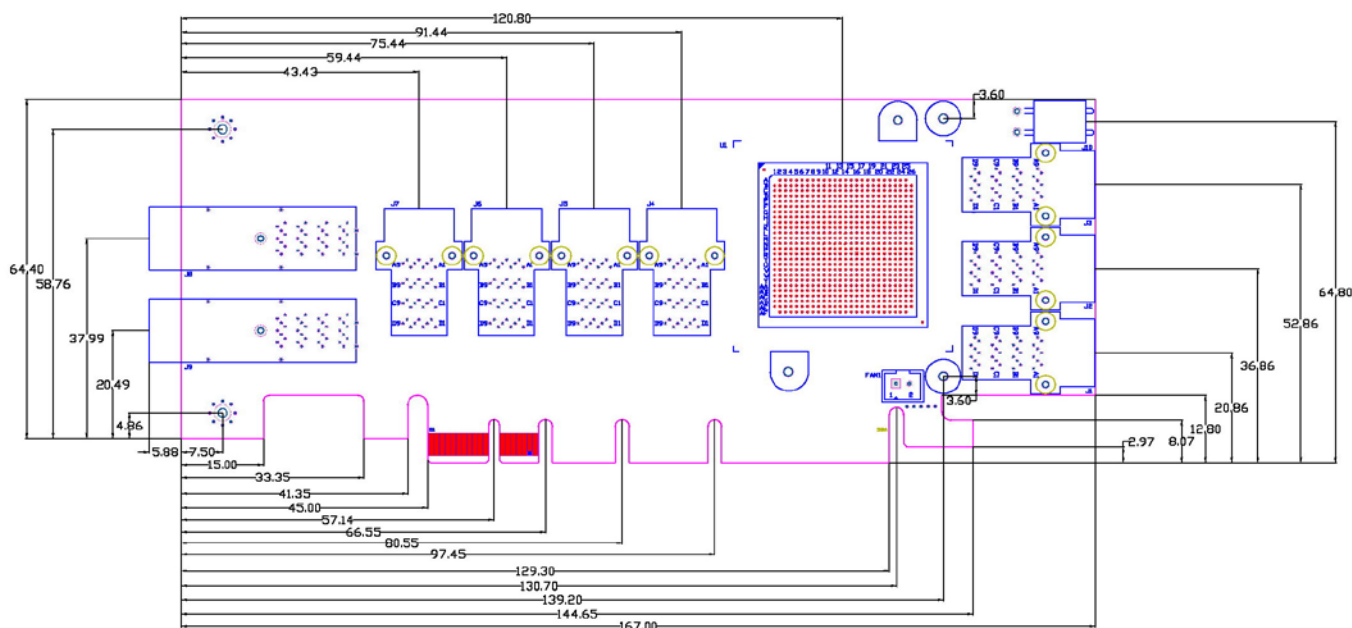
[J8] : Mini-SAS HD Connector – External Input from Host Server

[J9] : Mini-SAS HD Connector – External Output to JBOD unit

[J7] : Mini-SAS HD Connector – Input from SAS HBA/RAID Card

[J1-J6] : Mini-SAS HD Connectors – Output to SAS/ SATA Drive, Support SGPIO.

Mechanical Dimension



Mini-SAS Cables Option

The Mini-SAS backplane provides most benefits to users using the same backplane to support various SAS/SATA RAID card via different conversion cables.



(A) mini SAS HD SFF-8643 to mini SAS HD



(B) mini SAS HD SFF-8644 to mini SAS HD